

SURFACE FIXED QUICK EXIT DIGITAL GATE LOCK



SPECIFICATION SHEET

SBOEDGLW

G A marine grade lock with a digital keypad to outside and a push exit pad to inside, suitable for wooden and metal gates.

G Surface fitted - simply drill 3 holes through the gate and screw the lock on.

G Auto-latching – close the gate and the latchbolt latches into the gate frame. To open the gate - enter the code and turn the handle.

G Latchbolt is adjustable in length for precise fitting on site.



PRODUCT DETAILS

Product code:	Description:
SBOEDGLWL	Left handed (keypad on entry and push pad on exit)
SBOEDGLWR	Right handed (keypad on entry and push pad on exit)

Latchbolt: Adjustable, moves 22mm. Auto-latching when gate closes.

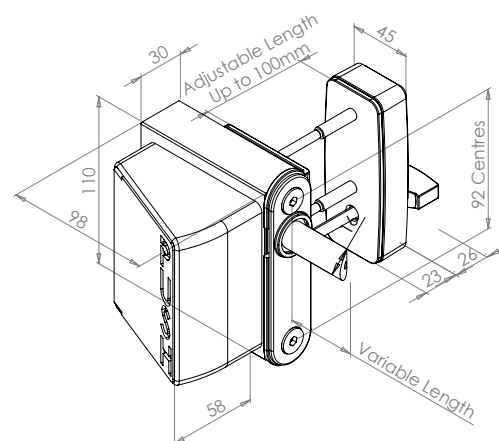
Keep included.

No power needed.



INSTALLATION

1. Position angle bracket on edge of the gate (can overhang edge of gate by up to 15mm if required to accommodate a gap between the gate and gate post) and mark 3 holes for the outside keypad fixing screws and spindle. Remove angle bracket and drill 3 holes 9.0mm diameter through the gate.
2. Cut the 2 x M5 screws and the spindle to length to suit the gate thickness. M5 screws should be cut to gate thickness less 16mm. The spindle should be cut to gate thickness plus 50mm.
3. Fit the outside keypad and angle bracket using M5 screws and insert spindle (Ensure spindle is not binding on the gate).
4. Fix angle bracket securely using screws through the remaining 2 countersunk holes.
5. Position lock on to the spindle and fix to the angle bracket using 2 x M8 countersunk screws.
6. Test the lock to check it operates freely.
7. Fix the strike plate to the gate post.
8. **ADJUSTMENT** To adjust latchbolt length insert 3mm long arm hex key (supplied) into end of bolt and release locking screw. Rotate bolt as required and re-tighten locking screw. Lubricate with light oil periodically.



G GATEMASTER

VISIT GATEMASTERLOCKS.COM FOR MORE INFORMATION



SURFACE FIXED QUICK EXIT DIGITAL GATE LOCK



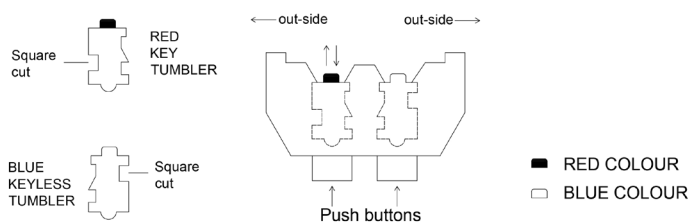
SPECIFICATION
SHEET
SBQEDGLW

LOCK CODE:

C _ _ _

TO CHANGE THE CODE

1. Check the original code is working on the keypads. Unscrew the black back plate from the keypad with the 2 hex fixing screws.
2. Turn the keypad over and remove the 4 red screws
3. Lift off the covering panel. Be careful as there are 10 springs attached to this panel. Note that the red tumblers relate to the code shown above. Also note that the C tumbler is uncoloured and should not be removed.
4. To change the code hold the keypad with the code buttons down and depress & hold the C button (if this is not done you may damage some of the internal components). Reposition the tumblers to the new code (red tumblers are coded and blue tumblers are uncoded). Ensure that the square cut-out on each tumbler is facing the outside of the lock body, also ensure that the coloured mark is facing upwards. If any one tumbler is upside down or the wrong way round the lock will not work and if forced will break the internal components. The code must always start with a 'C'



5. Replace the covering panel and tighten the 4 red screws.
6. The code is now changed, check to see that it is working correctly and make a note of the code for future reference. Once satisfied that the lock is working correctly refit the backplate to the keypad.

MAINTENANCE

3 monthly:

1. Remove keypads from the lock
2. Spray the inside of the lock thoroughly with WD40 or equivalent, through the tumbler holes at the back of the lock
3. Spray all the fixing accessories and the latch with WD40 or equivalent.
4. Push each of the buttons and rotate the knob several times to make sure the lock is working smoothly

 **GATEMASTER**

VISIT GATEMASTERLOCKS.COM FOR MORE
INFORMATION

